

DP 3069 HT 1~ 253

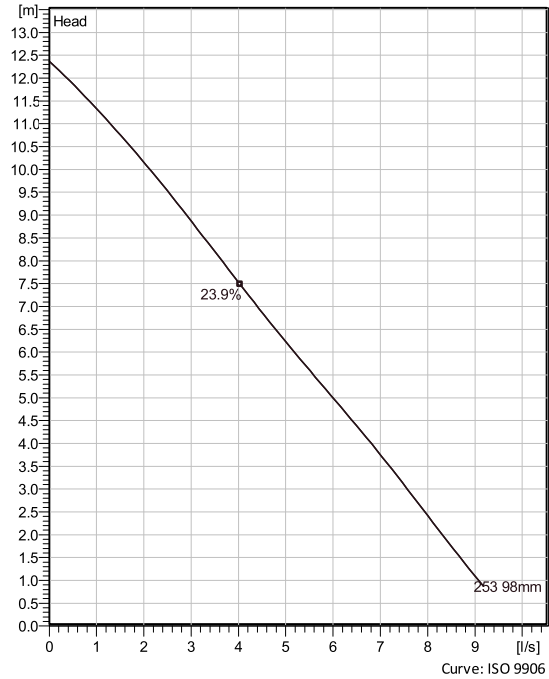
Portable pumps with vortex impellers ideal for applications in which the water or liquid contains concentrations of abrasives when clogging problems can occur.



Technical specification



Curves according to: Water, pure [100%], 4 °C, 1 kg/dm³, 1.569 mm²/s



Configuration

Motor number D3069.180 13-10-2BZ-W 2.3hp	Installation type P - Semi permanent, Wet
Impeller diameter 98 mm	Discharge diameter 50 mm

Pump information

Impeller diameter 98 mm
Discharge diameter 50 mm
Inlet diameter 48 mm
Maximum operating speed 3320 rpm
Number of blades 6
Throughlet diameter 48 mm
Max. fluid temperature 40 °C

Materials

Impeller Grey cast iron
Stator housing material Grey cast iron

Project
Block

Created by Derek Godfrey
Created on 8/16/2021 **Last update** 8/16/2021

DP 3069 HT 1~ 253

Technical specification



Motor - General

Motor number D3069.180 13-10-2BZ-W 2.3hp	Phases 1~	Rated speed 3320 rpm	Rated power 2.3 hp
Approval No	Number of poles 2	Rated current 10 A	Stator variant 3
Frequency 60 Hz	Rated voltage 230 V	Insulation class F	Type of Duty S1
Version code 180			

Motor - Technical

Power factor - 1/1 Load 0.97	Motor efficiency - 1/1 Load 74.7 %	Total moment of inertia 0.0012 kg m ²	Starts per hour max. 15
Power factor - 3/4 Load 0.97	Motor efficiency - 3/4 Load 76.3 %	Starting current, direct starting 35 A	
Power factor - 1/2 Load 0.96	Motor efficiency - 1/2 Load 73.5 %	Starting current, star-delta 11.7 A	

Project
Block

Created by Derek Godfrey
Created on 8/16/2021 **Last update** 8/16/2021

DP 3069 HT 1~ 253

Performance curve

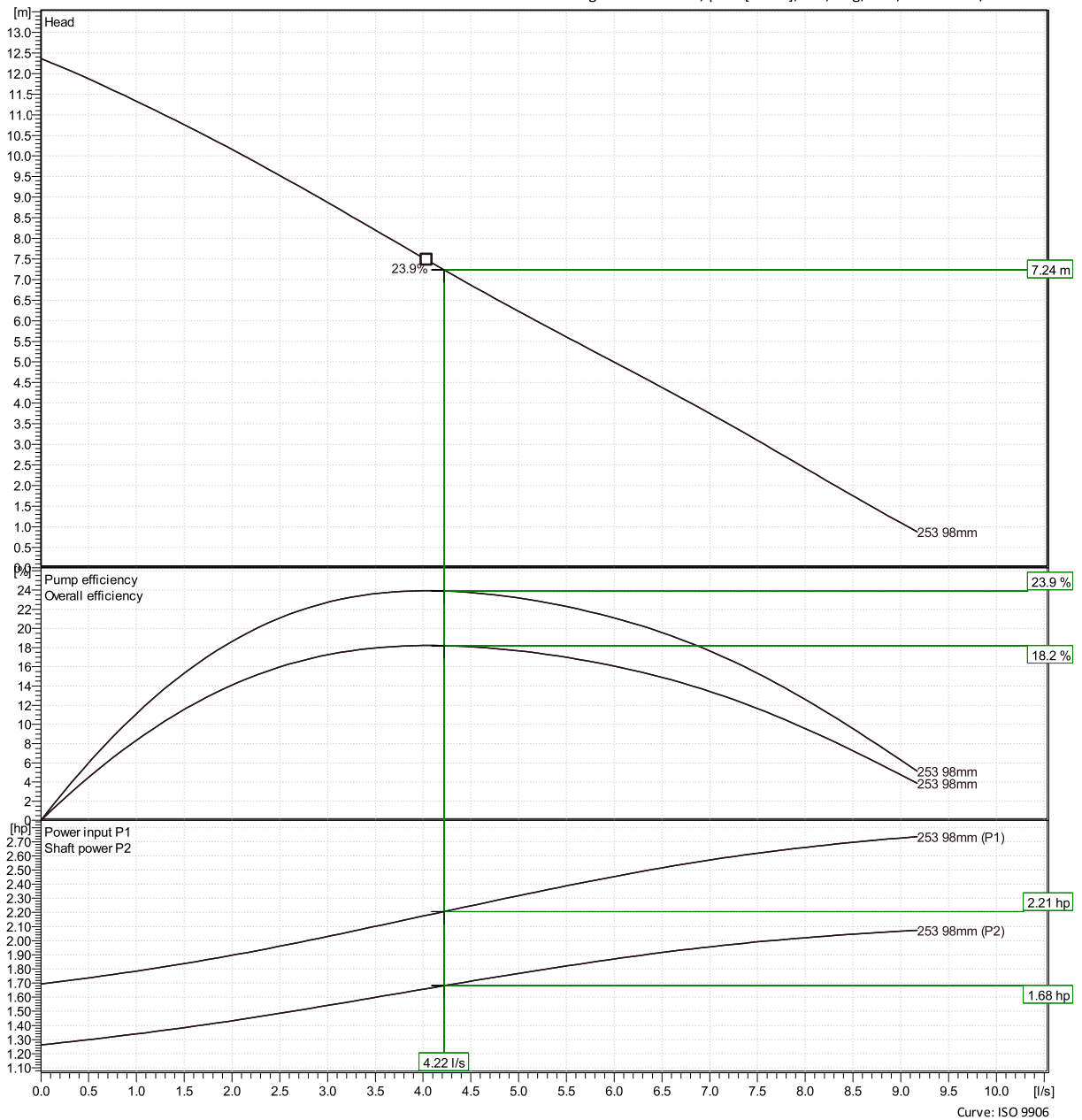


Duty point

Flow
4.22 l/s

Head
7.24 m

Curves according to: Water, pure [100%], 4 °C, 1 kg/dm³, 1.569 mm²/s



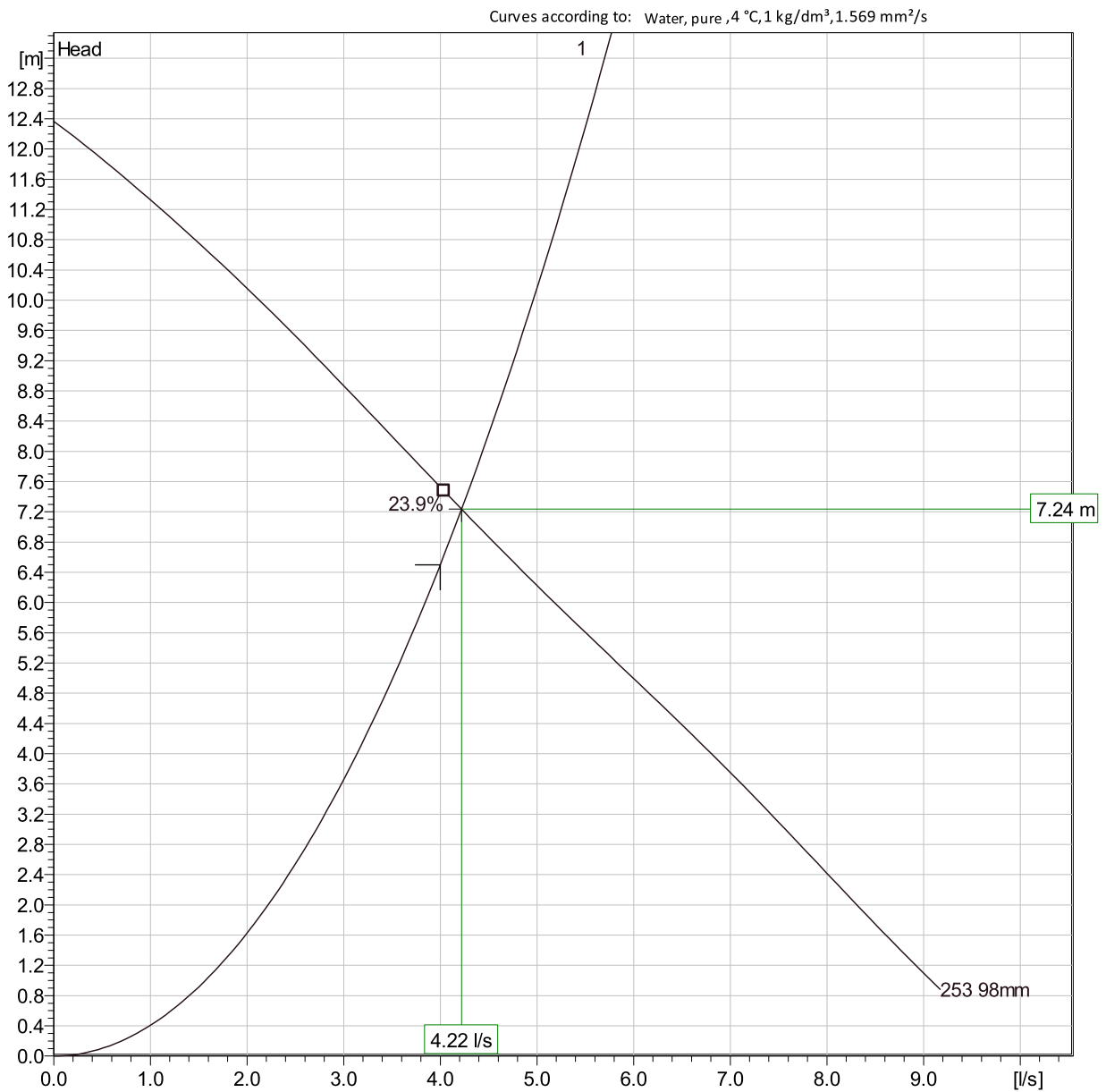
Project
Block

Created by Derek Godfrey
Created on 8/16/2021 **Last update** 8/16/2021

Curve: ISO 9906

DP 3069 HT 1~ 253

Duty Analysis



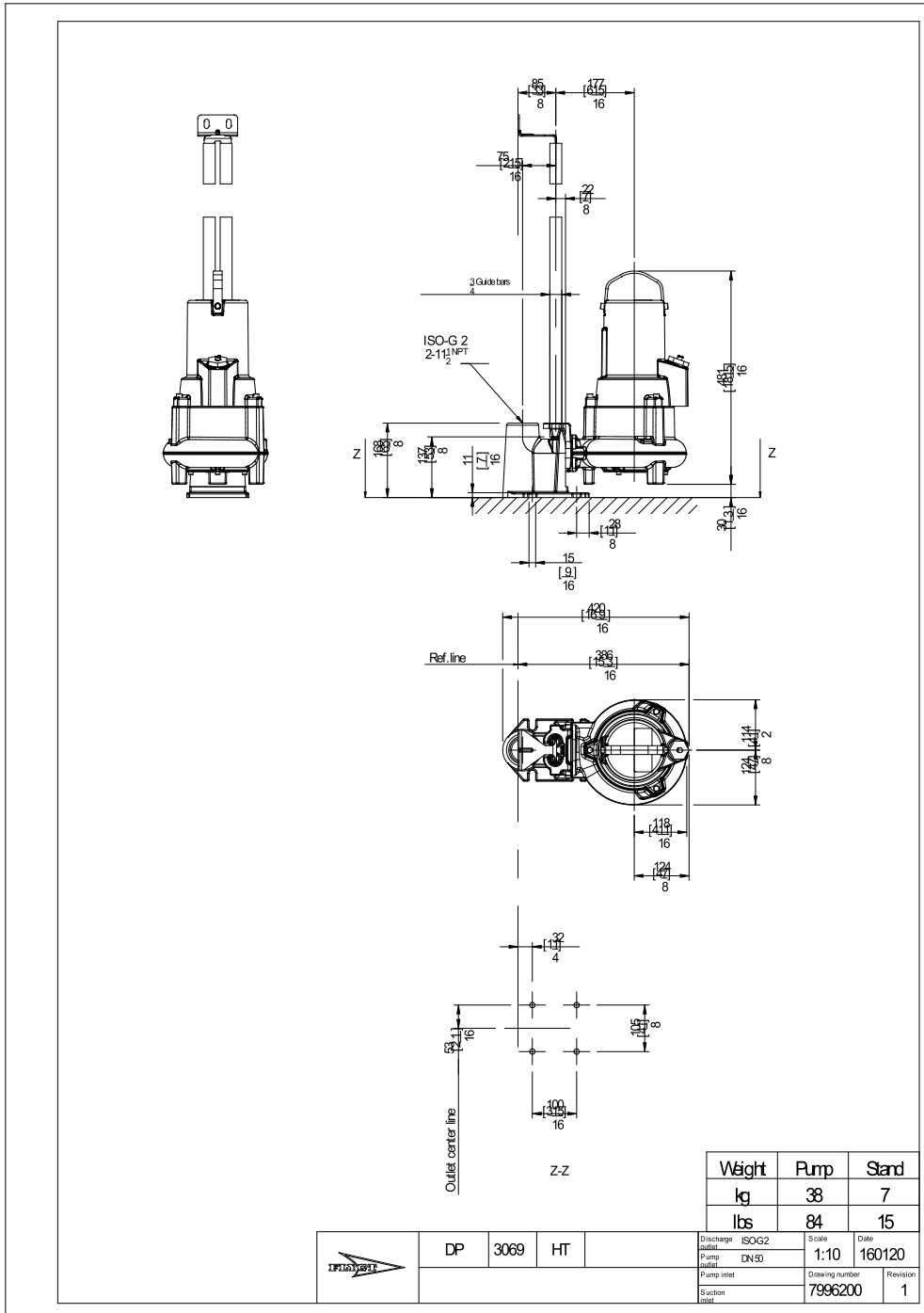
Operating characteristics

Pumps / Systems	Flow	Head	Shaft power	Flow	Head	Shaft power	Hydr.eff.	Specific Energy	NPSHre
1	4.22 l/s	7.24 m	1.68 hp	4.22 l/s	7.24 m	1.68 hp	23.9 %	0.000108 kWh/	

Project	Created by	Derek Godfrey	
Block	Created on	8/16/2021	Last update 8/16/2021

DP 3069 HT 1~ 253

Dimensional drawing



Project
Block

Created by Derek Godfrey
Created on 8/16/2021 Last update 8/16/2021